

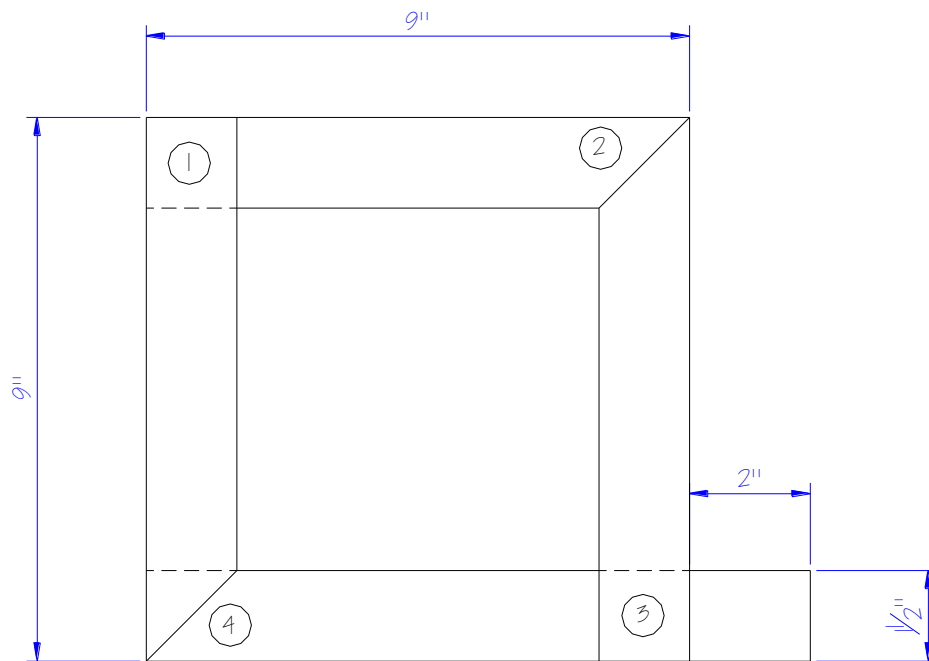
Wood Joint Project

Challenge:

To create a wood frame with four different joints using hand tools only. At all times remember to use shop safety.

Wood Joints:

1. Corner Half-Lap
2. Mitre
3. "T" Half-Lap
4. Mitre Half-Lap



Evaluation:

- | | |
|-------------------|-----|
| • Corner Half-Lap | /10 |
| • Mitre | /10 |
| • "T" Half-Lap | /10 |
| • Mitre Half-Lap | /10 |
| • Square | /10 |
| • Sanding | /10 |
| • Safety | /10 |

Total: /70